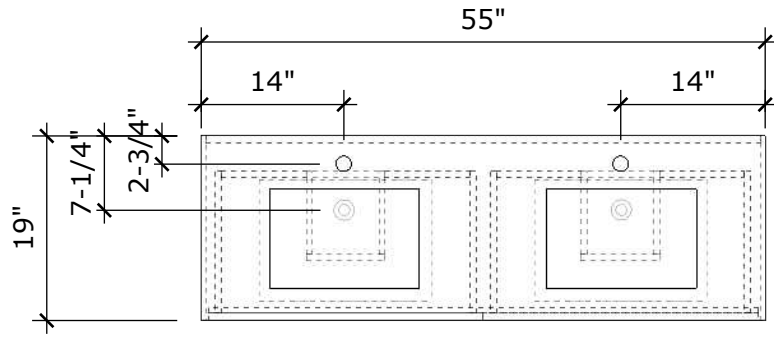
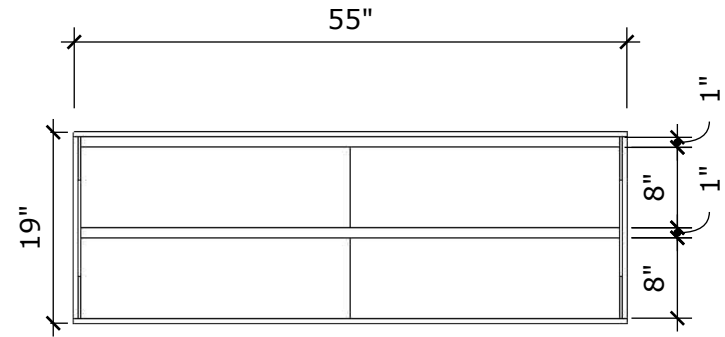


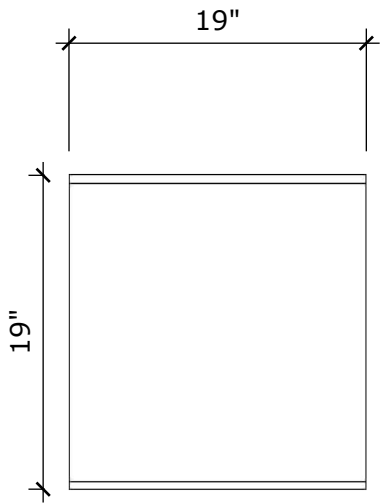
MODEL NAME: MC 1400J
PERSPECTIVE



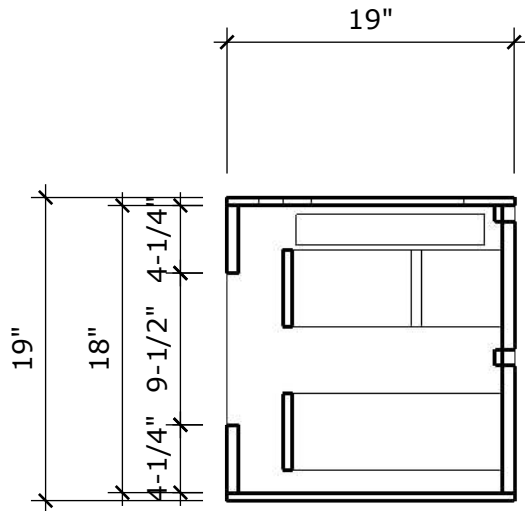
PLAN



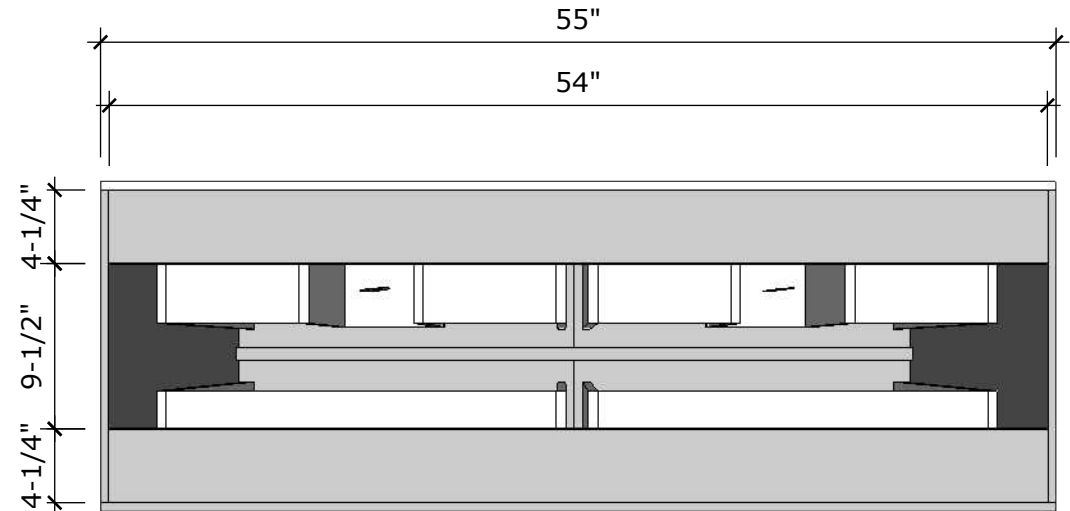
FRONT ELEVATION



SIDE ELEVATION

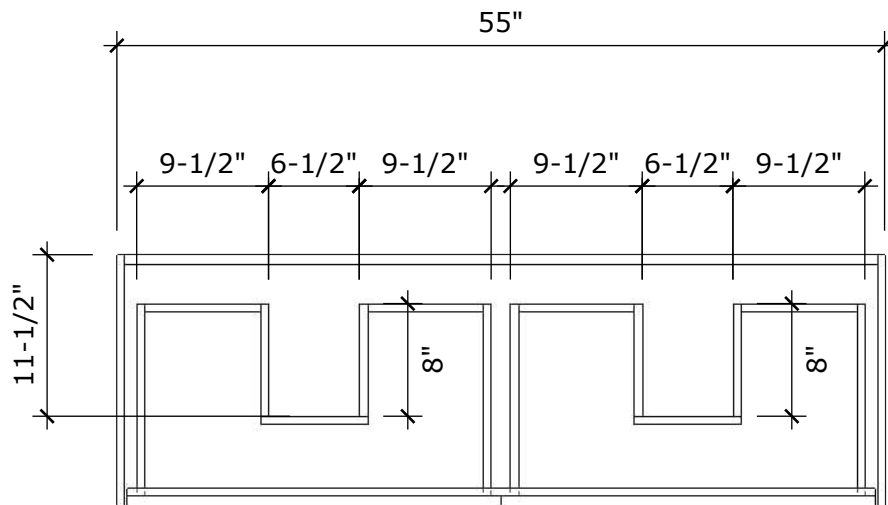


SECTION CUT

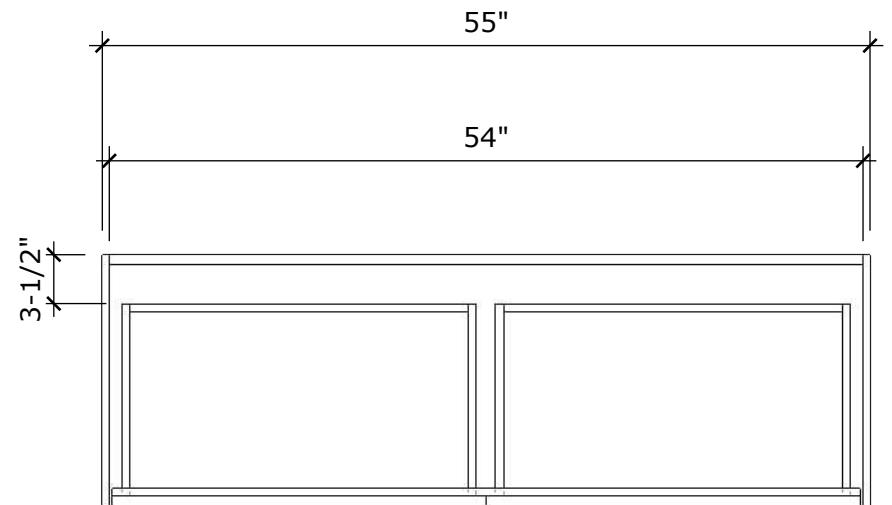


BACK VIEW

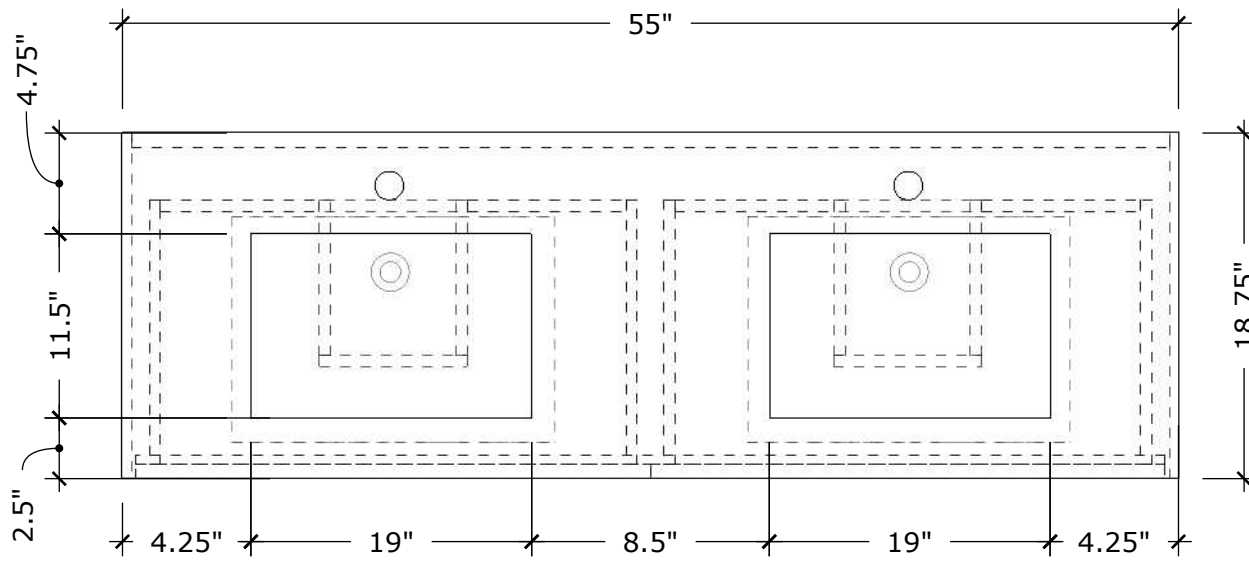
MODEL NAME: MC 1400J



TOP DRAWER
U-SHAPE INSERT



BOTTOM DRAWER
FULL DRAWER



SINK DIMENSIONS