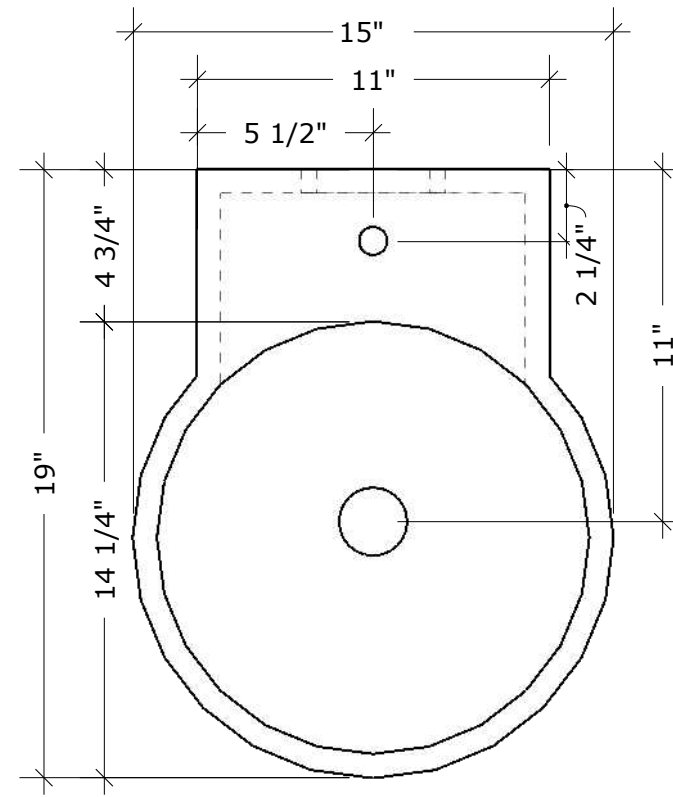
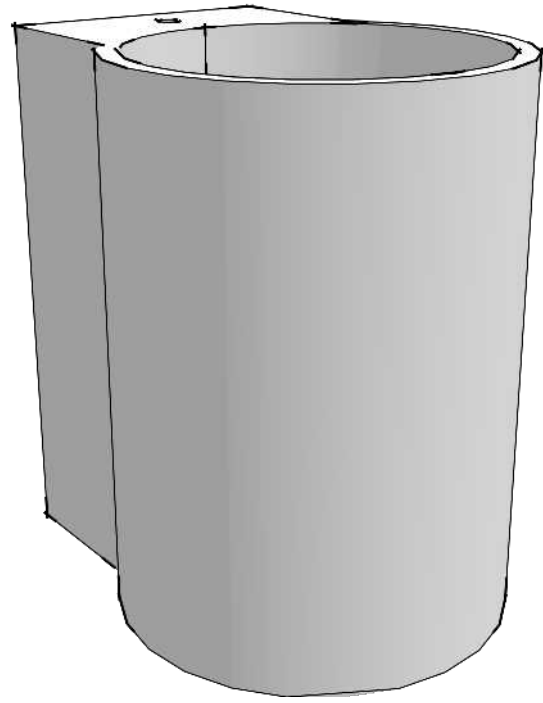
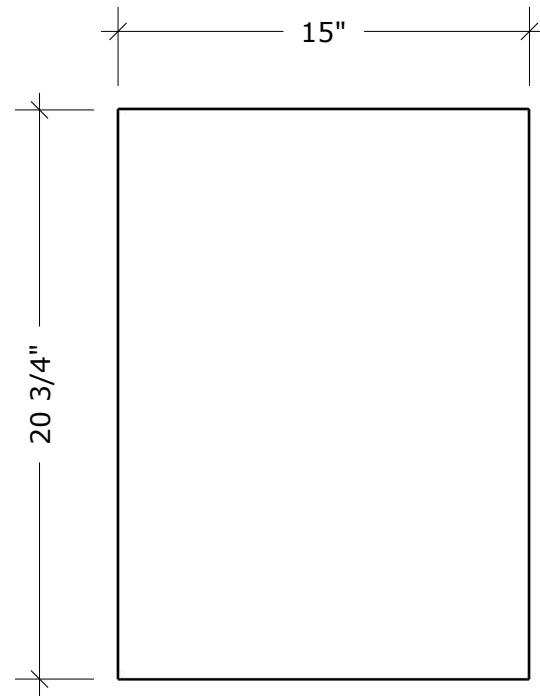


**OVERALL  
DIMENSIONS**

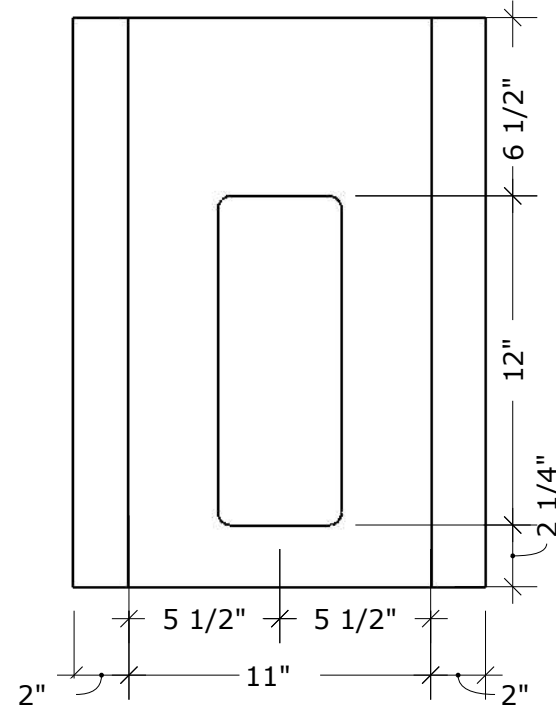
W15" X H20.75" X D19"



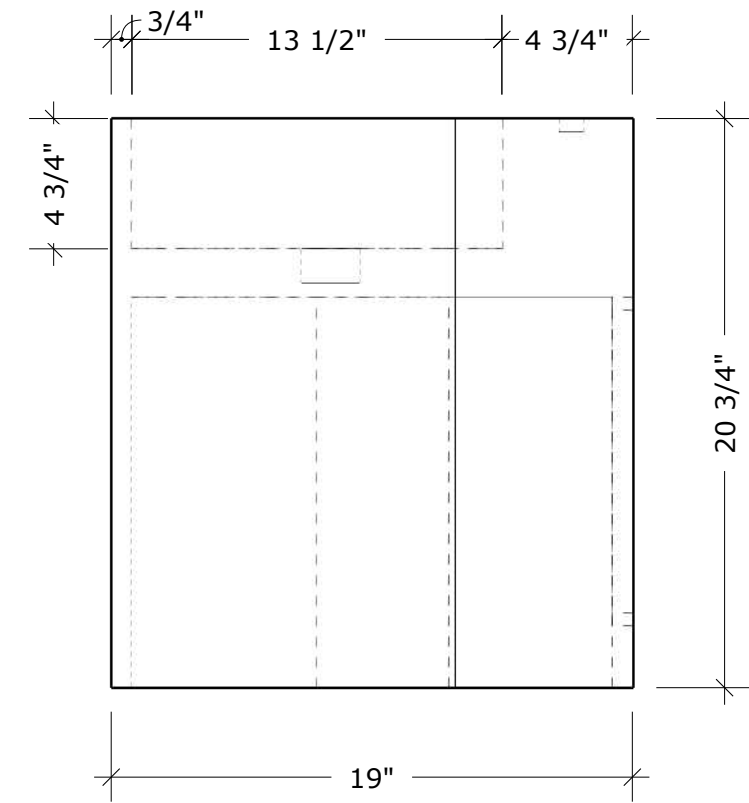
PLAN



FRONT ELEVATION



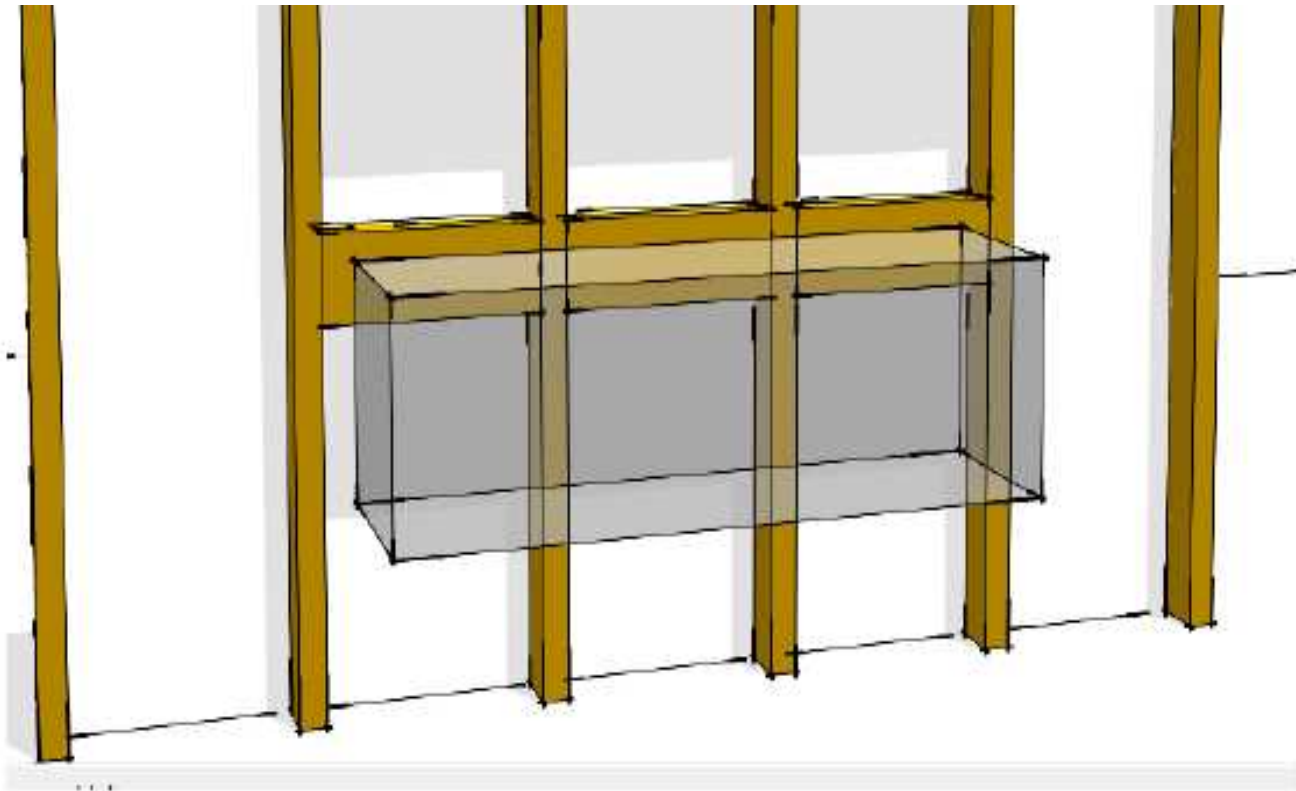
BACK ELEVATION



SIDE ELEVATION



**PRODUCT CODE**  
BA 38479



**FLOATING VANITY**

**FLOATING CABINETRY ARE REQUIRED TO BE REINFORCED WITH TWO OR THREE LAYERS OF 2X6 STUDS BETWEEN THE STUDS.**

**FOR VANITY, HEIGHT OF BLOCKING SHOULD BE AT THE TOP OF THE CABINETRY (NOT INCLUDING COUNTERTOP)**