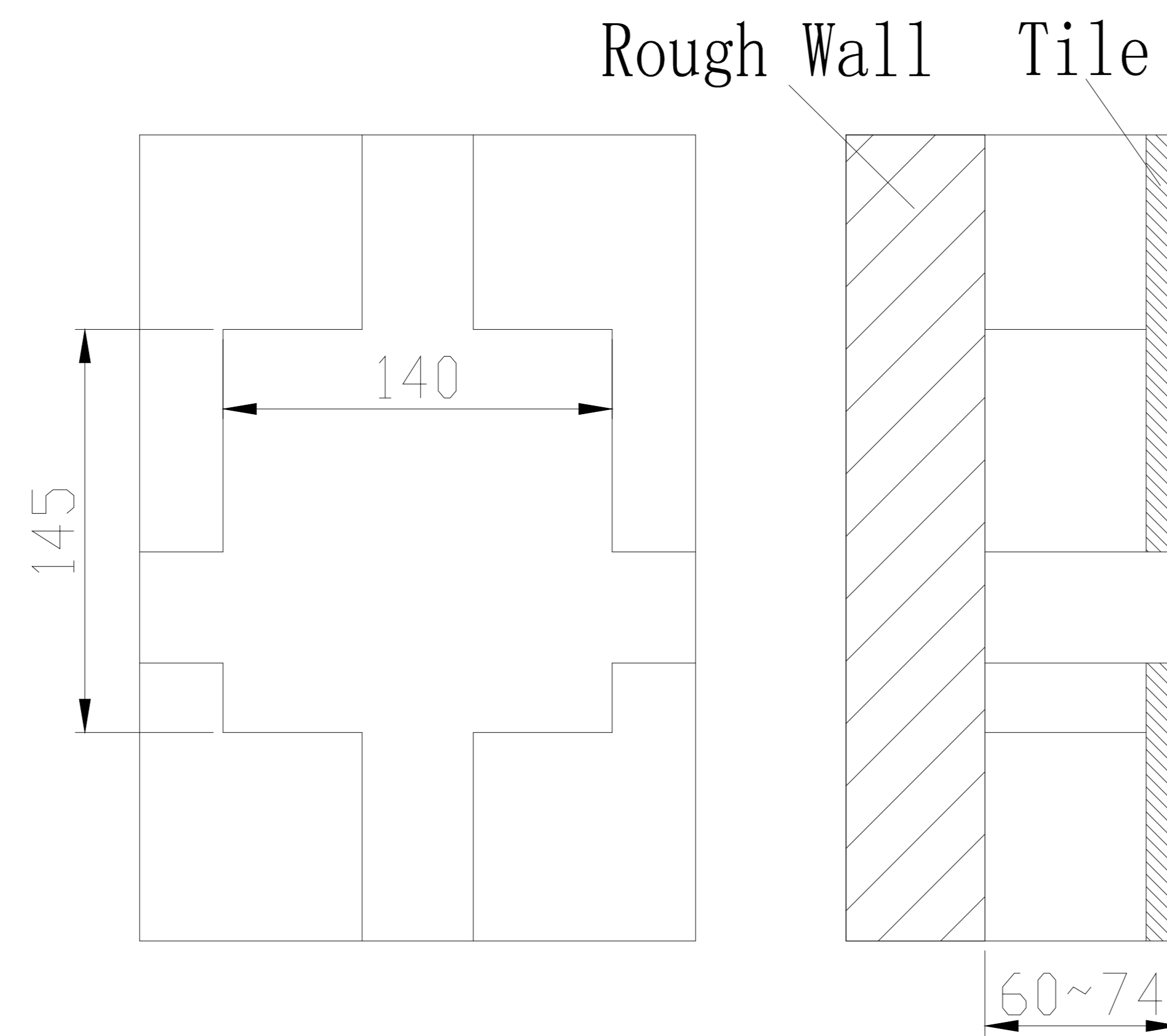
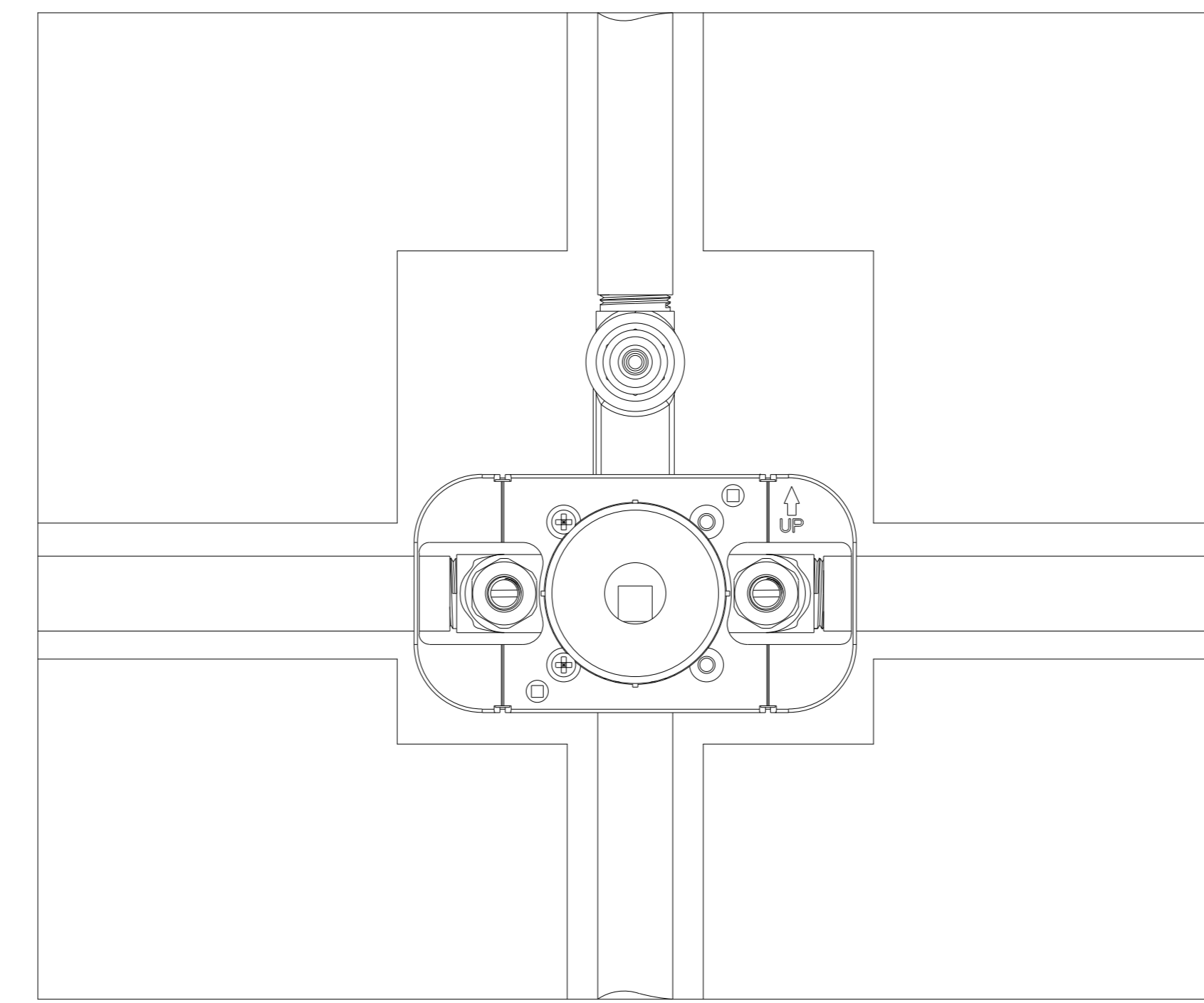


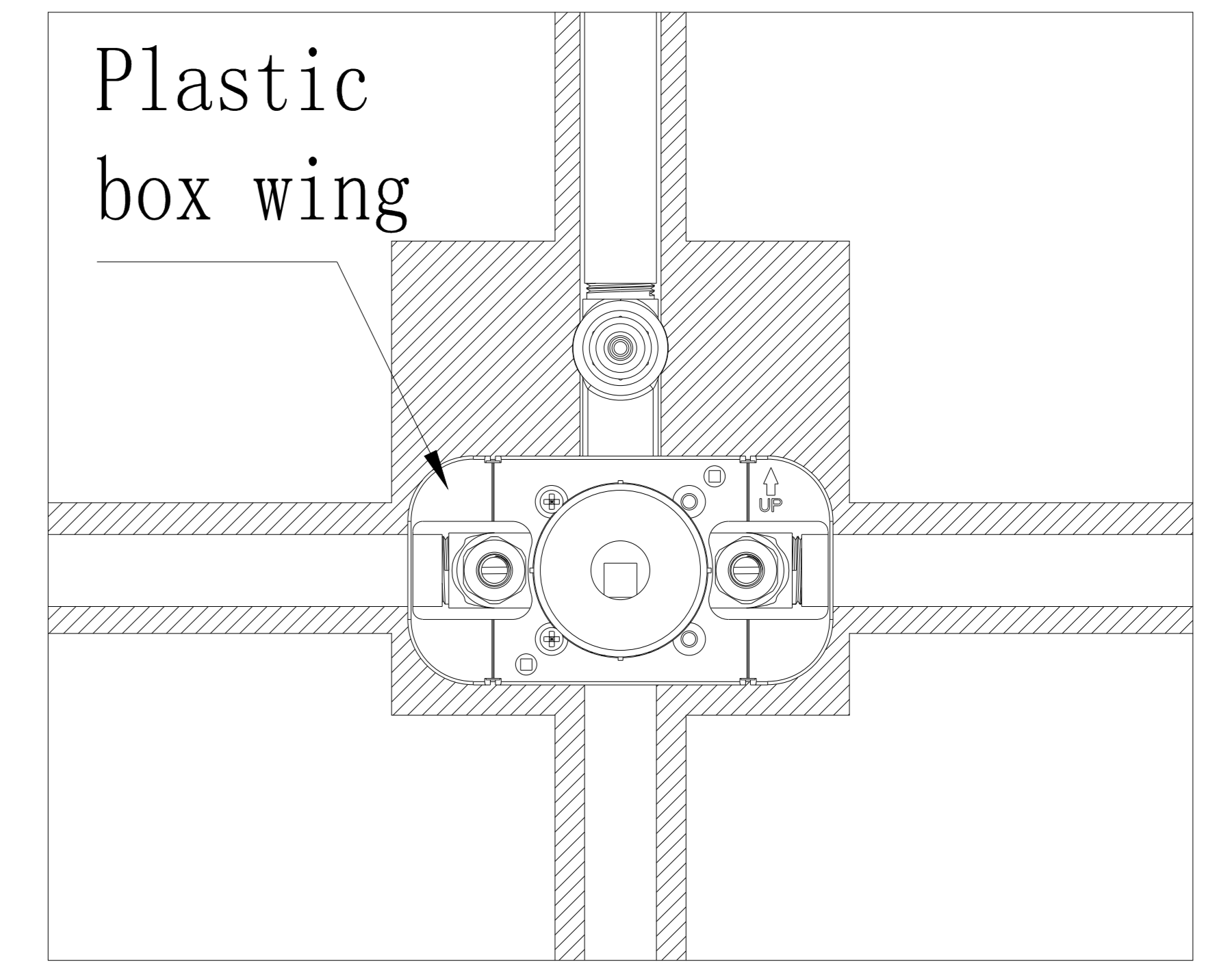
VEN-LTA010-M Installation Manual



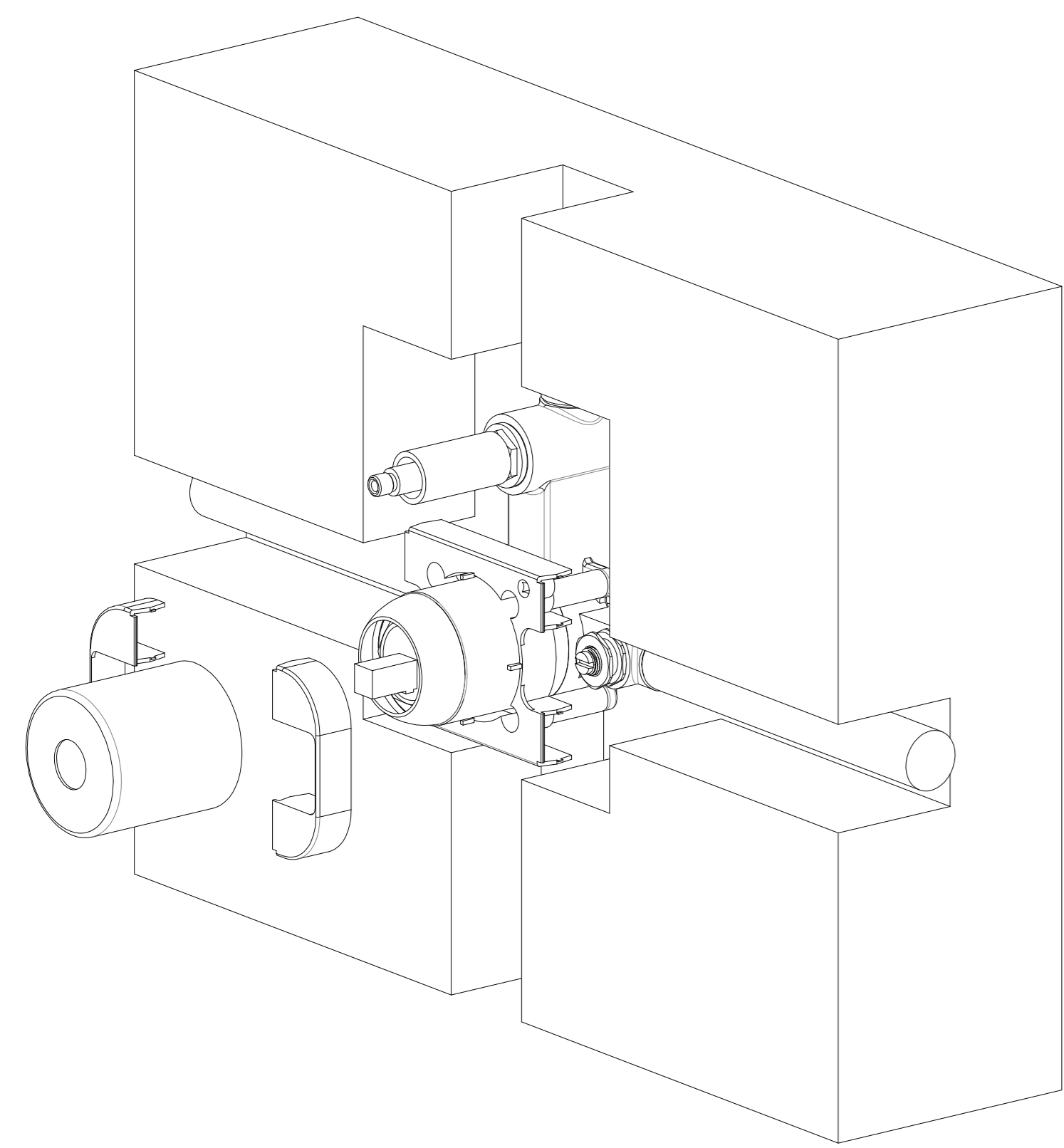
- ① Carve an embedded slot at reasonable position according to above drawing and real product.



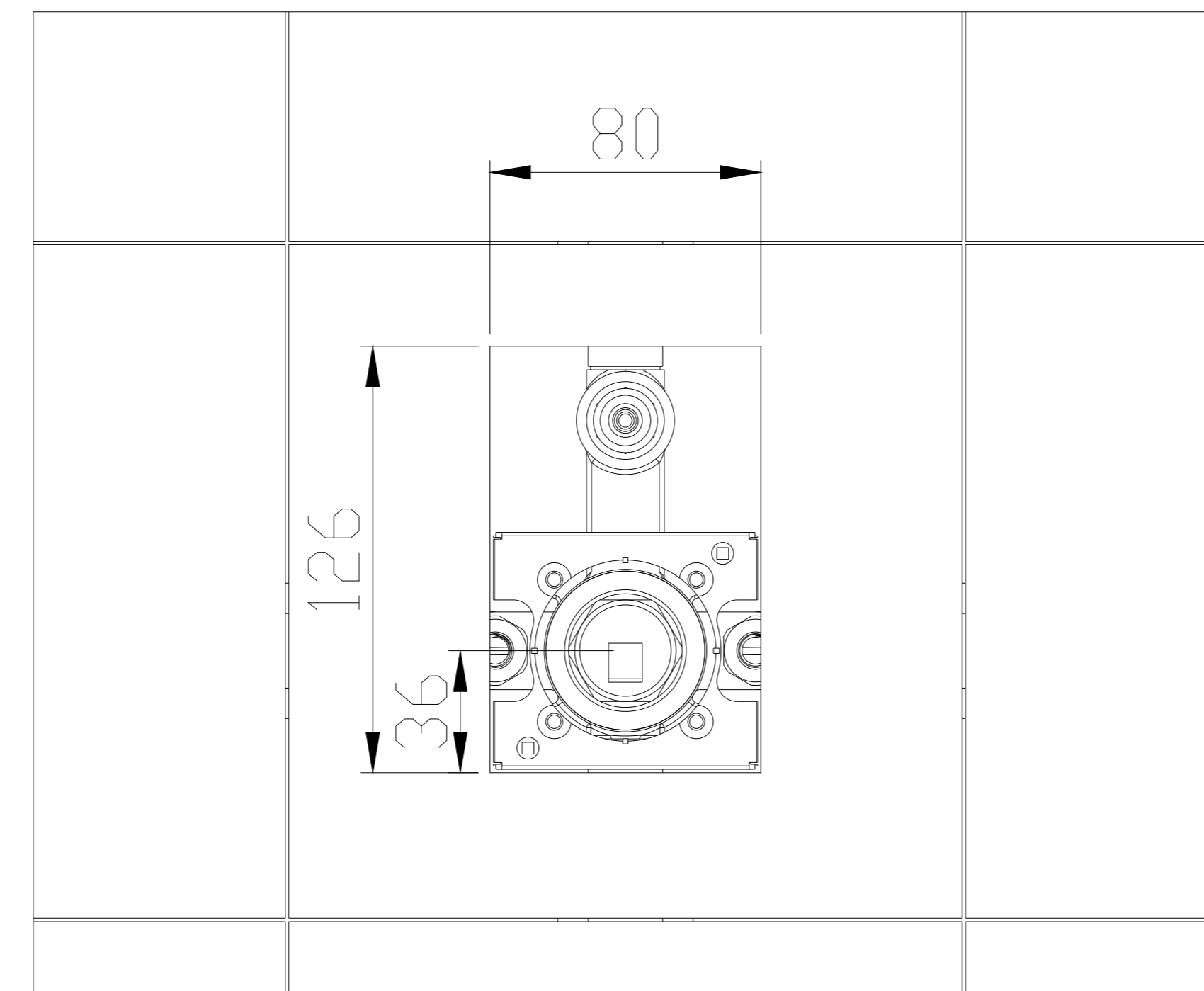
- ② Connect two inlet water pipes and two outlet water pipes with the valve body. Insert the valve body into the embedded slot. Test the water pipeline to avoid leakage.



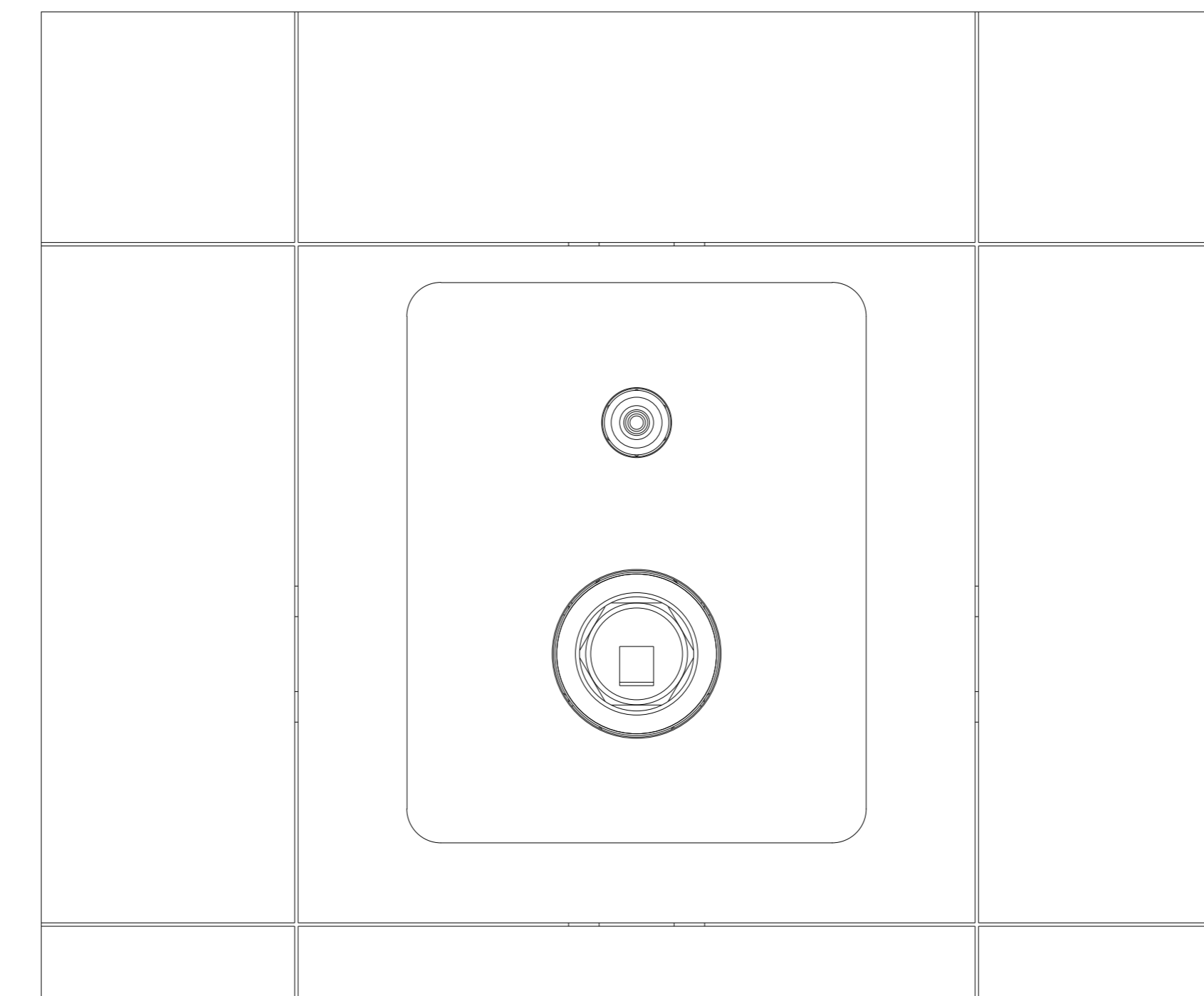
- ③ Fill the embedded slot with concrete and fix the valve. Note: Filling stuff cannot cover the plastic box wing because this part need to be cut.



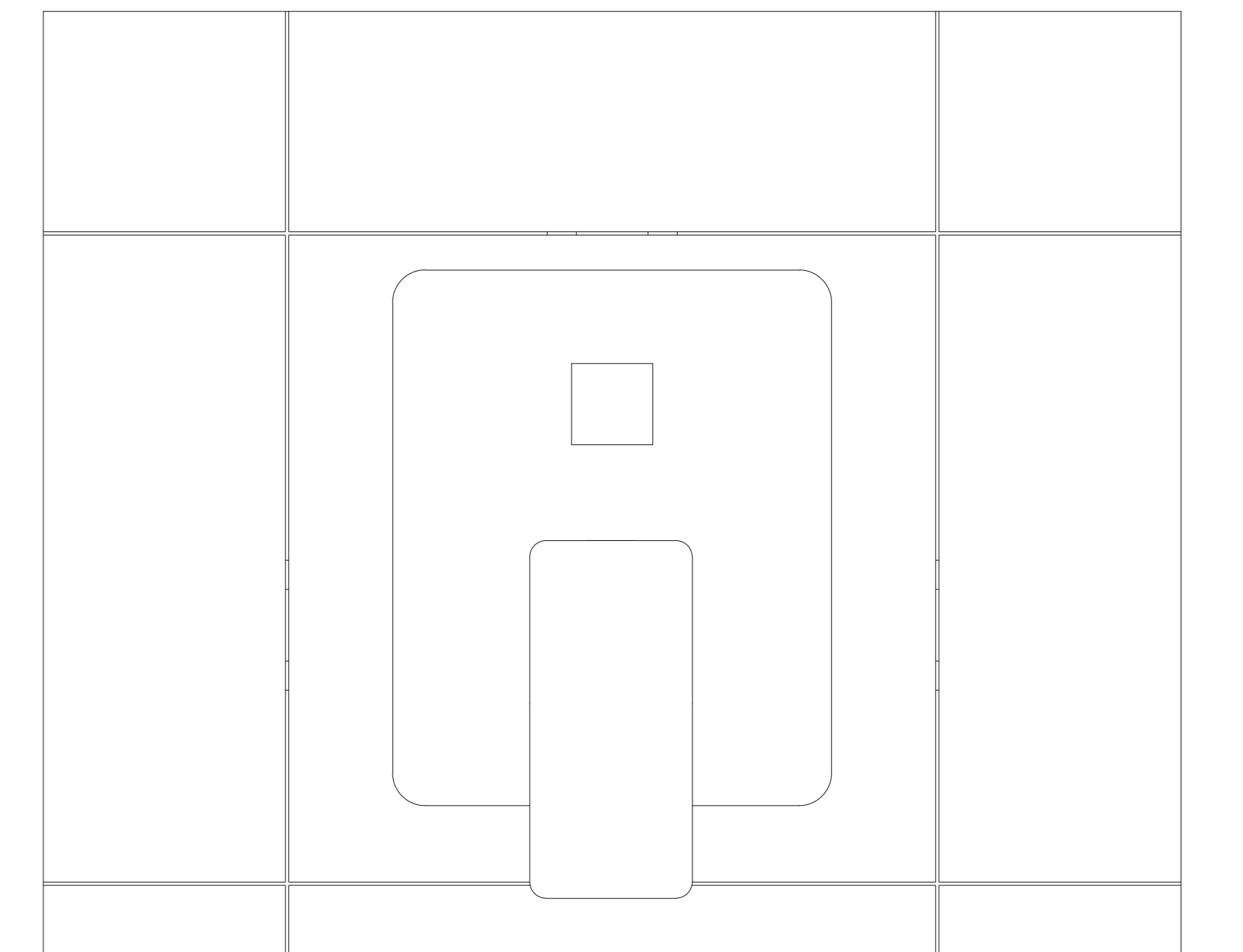
- ④ Take away the plastic covers and the two wings.



- ⑤ Leave 126*80mm hole on the tile for the valve.



- ⑥ Put valve cover on.



- ⑦ Put handles in sequence and fixed with screws to finish the installation. Note: Make sure the knob point to the real direction.