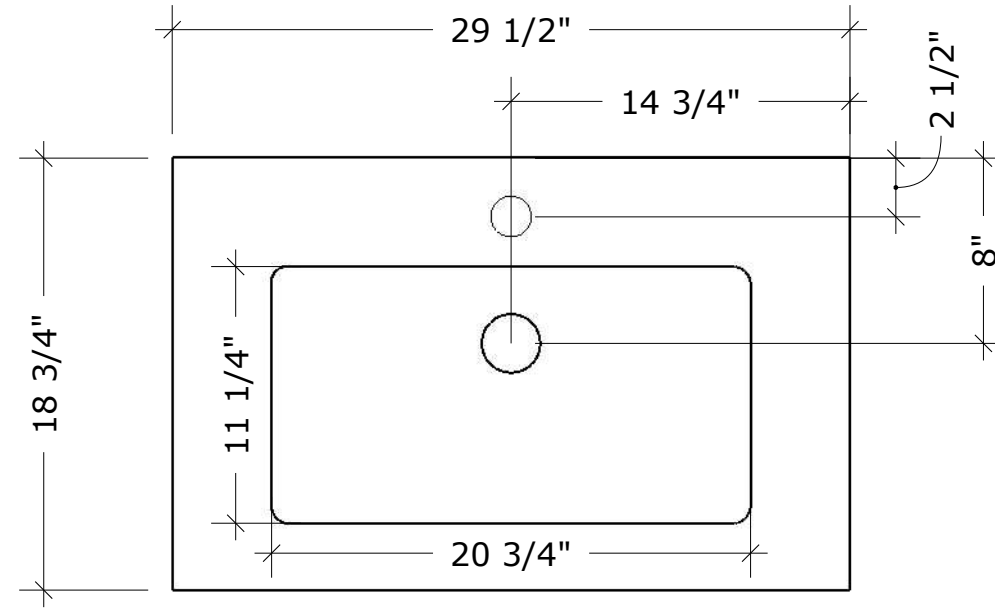
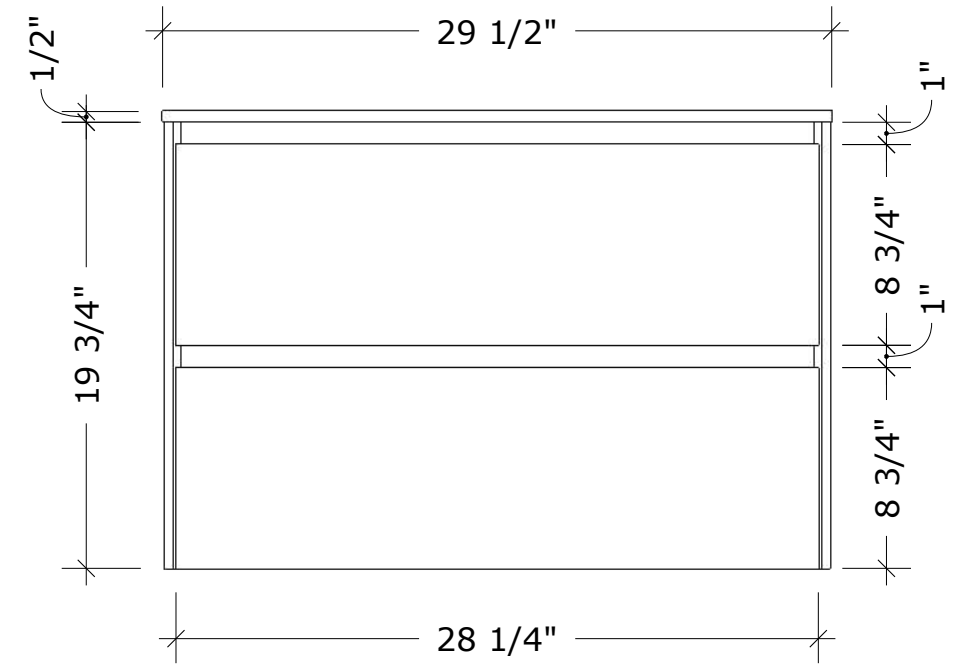


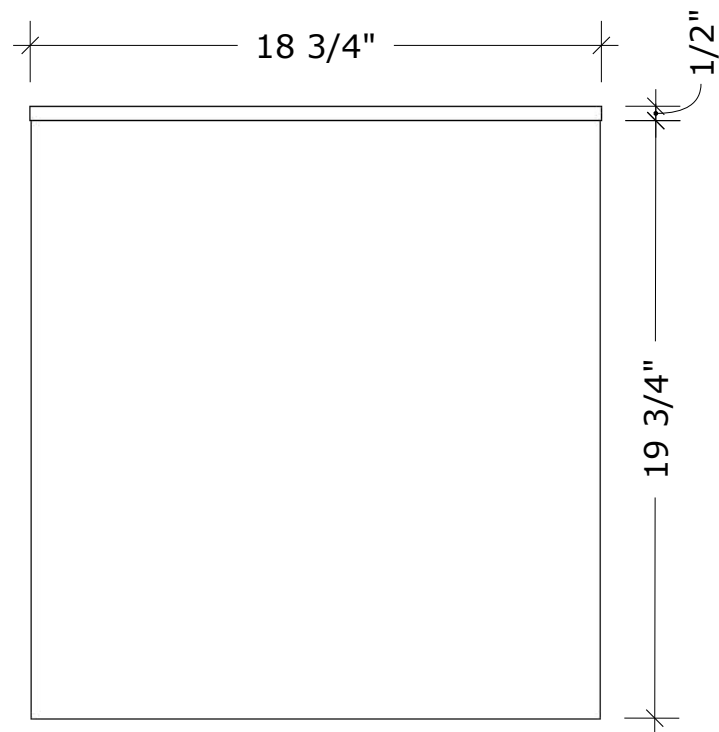
MODEL NAME: MC 750S
PERSPECTIVE



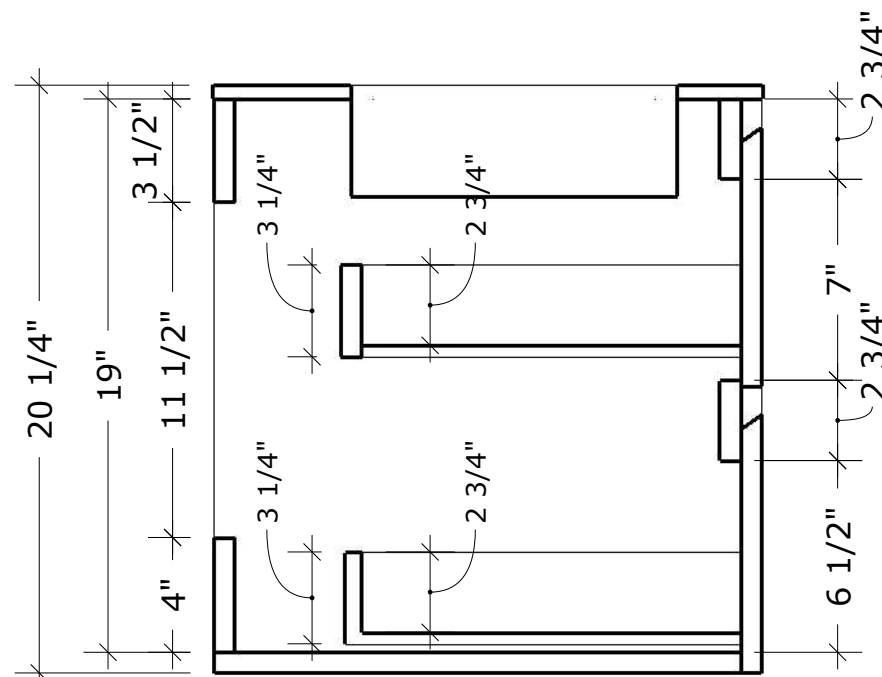
PLAN



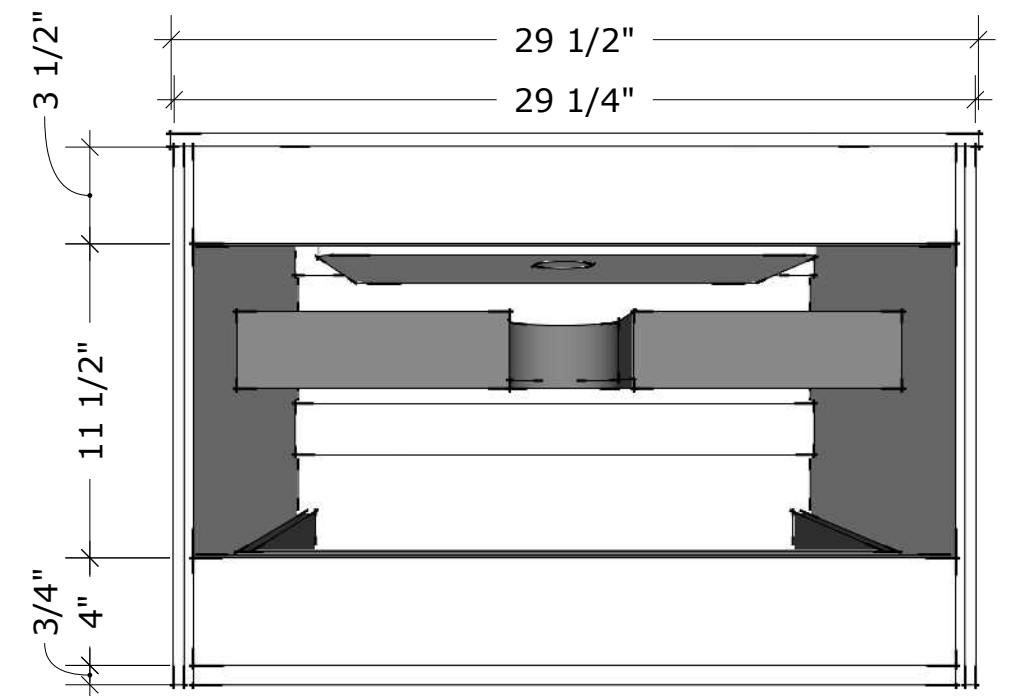
FRONT ELEVATION



SIDE ELEVATION

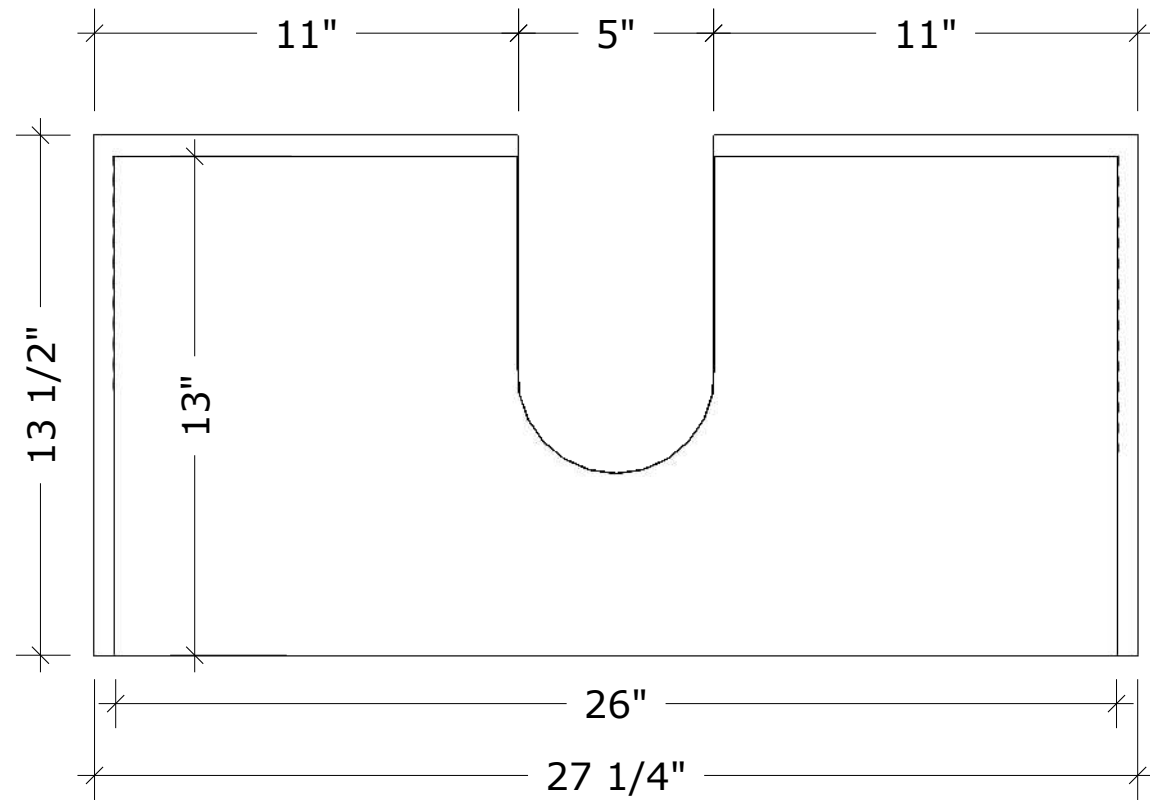


SECTION CUT

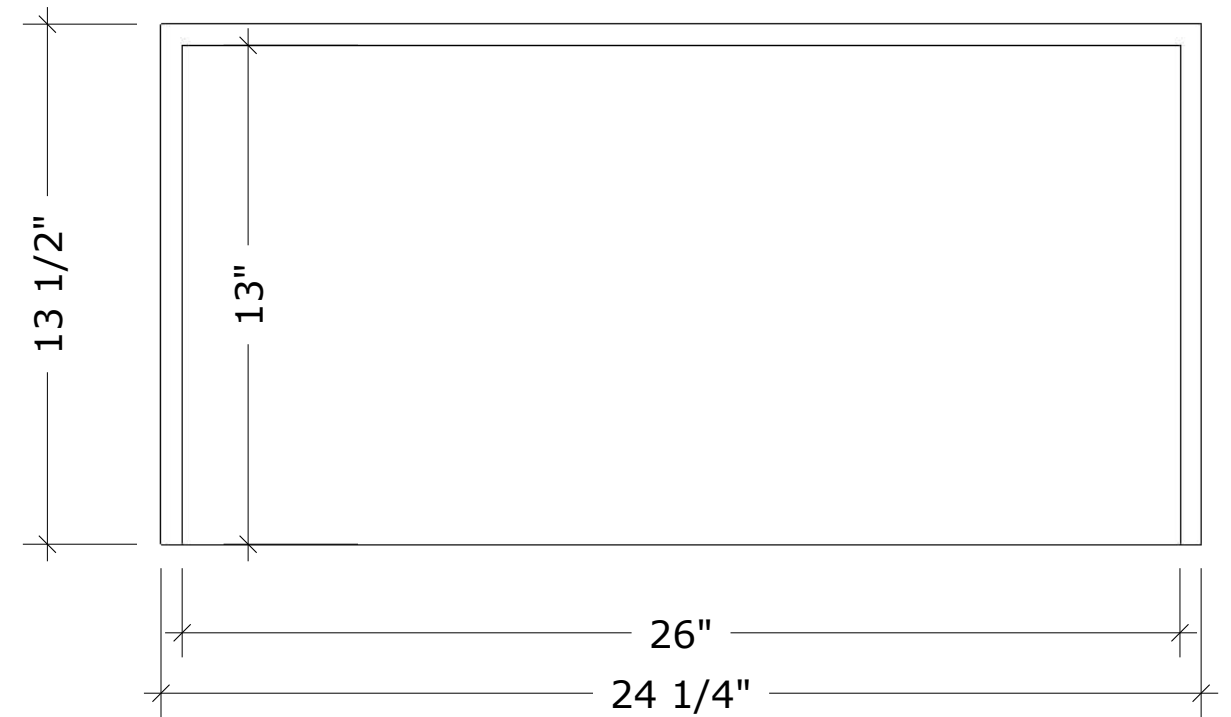


BACK ELEVATION

MODEL NAME: MC 750S
DRAWERS



TOP DRAWER
U SHAPE INSERT



BOTTOM DRAWER
FULL DRAWER